

Electronic Single-Head Automatic Embroidery Machine

# TMBP - SC SERIES



T A J I M A  
E M B R O I D E R Y  
S H O P



Fashioning your Future Tajima always leads, never follows

# TMBP-SC series

Electronic Single-Head Automatic Embroidery Machine

The latest cost effective,  
high performance single head successor.

The air clamp makes large sized bags easy to embroider.



It can also embroider on slim items like socks.



A wide area can be secured all around the frame.  
It can be easily installed for quick changeover with minimal down time.

The Border Frame is also available.  
\*Optional



1 Network

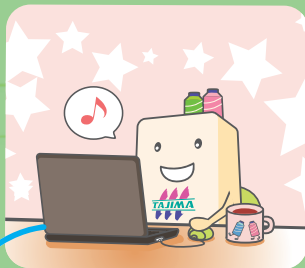
2 Slim Cylinder



## ■ Network

Embroidery data can be easily sent to the machines by connecting the embroidery software to a network.

For name tag embroidery, autograph is recommended as it simplifies the process. In addition to the DG/ML, it allows for the smoothest design data generation and transmission to the machine.



## ■ Caps can be embroidered at higher speeds.

Cap production efficiency has been significantly increased.

- Existing machine 900rpm → 1000rpm



Reinforced Wide Cap Frame

## ■ It can easily embroider on sleeves or pockets.

With the new type slim cylinder that has been reduced by 12% in width, it is even better for working on children's wear or smaller pockets.

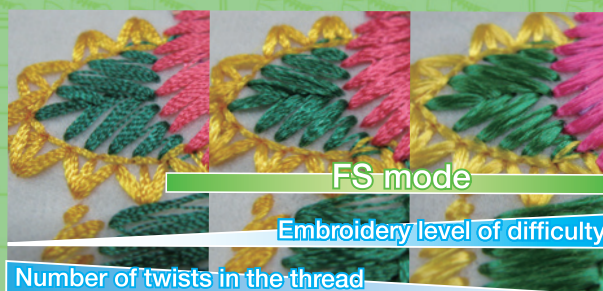


## ■ The FS mode is good for loosely twisted thread.

The FS mode is best suited for loosely twisted threads as it can embroider this type of fine thread with a high quality finish. By using the FS mode exclusive parts (sold separately) a nice lofty finish can be achieved.



FS mode Optional Parts



## ■ Work Comfortably

Needle Base LED Lamps illuminate the needle area and are equipped as the standard specification.



Position marker to make the design start point more visible and enable accurate positioning of the design. (optional)



## ■ A streamlined Cubical Frame Design

Relocating the frame drive to the upper position widens the frame operating field. Embroider without worrying about the size of the item being embroidered or the embroidery position.



## Frames



▲Tubular Frame(Standard)



▲Wide Cap Frame



▲Border Frame



▲Sock Frame

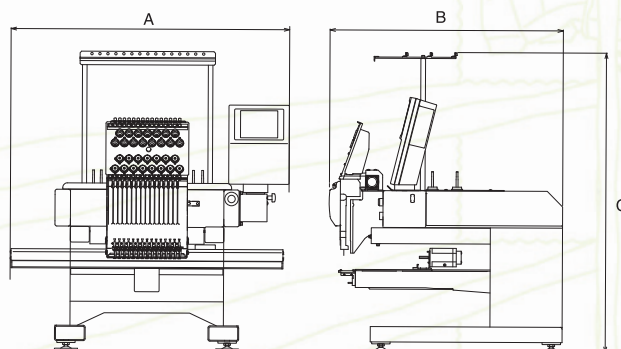


▲Air type Clamp Frame

## Specifications

Model	Needles			Embroidery Space (DxW) mm				Width (mm) : A	Depth (mm) : B	Height (mm) : C
	6	12	15	Border Frame	Wide Cap Frame	Semi-Wide Cap Frame	Tubular Frame			
TMBP-SC	○	○	○	360×500	75×360	83×180	360×500	870	765	965

Factory options	Position Marker, LED Lamp, Air Type Clamp Frame, Air Type Pocket Frame
Options	High-Speed Cording Device (KB-2M), Emb. Lamé Attachment, Stand Tray, Stand, Cap Frame, Pocket Frame, Snarl-preventive Attachment
Speed	Max. 1,200rpm
Electricity	Single-phase 100-120V, 200-240V, 50Hz/60Hz
Power consumption	190W
Weight	95kg



Seller

**Tajima Industries Ltd.**

19-22, Shirakabe 3-chome, Higashi-ku Nagoya 461-0011 JAPAN  
TEL. +81-52-932-3444, 3445 FAX. +81-52-932-2457, 3449



<http://www.tajima.com>



<https://www.facebook.com/TajimaGroup>

Manufacturer

**Tokai Industrial Sewing Machine Co.,Ltd.**

**ACG NYSTRÖM**

Älvsborgsleden 7, Box 929, 501 10 BORÅS  
Tel 033-17 88 00 | Fax 033-10 07 07  
e-mail: [info@acgnystrom.se](mailto:info@acgnystrom.se)  
[www.acgnystrom.se](http://www.acgnystrom.se)

\*The practical embroidery space and the rotational speed vary depending on embroidery product, machine model, and operating conditions.  
\*No registered trademark or design of the products contained in this catalog may be used without prior permission.