

Electronic Single-Head Automatic Embroidery Machine

TMBR - SC SERIES

EMBROIDERY SHOP



Fashioning your Future Tajima always leads, never follows

TMBR-SC series

Electronic Single-Head Automatic Embroidery Machine

The next generation model with
the Digitally Controlled Presser Foot "DCP"

The air clamp makes
large sized bags easy
to embroider.



It can also
embroider on slim
items like socks.



A wide area can be
secured all around
the frame.
It can be easily installed for
quick changeover with
minimal down time.

The Border Frame is also available.
*Optional



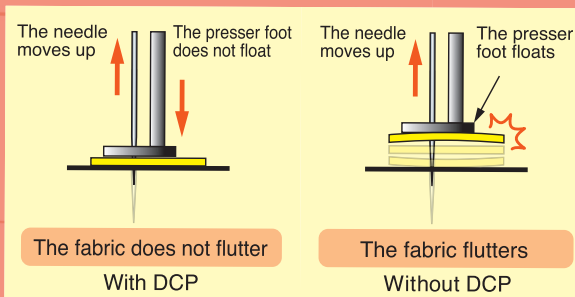
What is the DCP?

DCP
digitally controlled presser foot

The machine can embroider on thick material or seamed sections without fluttering due to Tajima's latest feature.

View the video clip

YouTube



When fluttering occurs

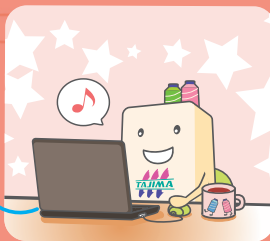
- ✗ The embroidery finish is lower quality
- ✗ Thread breakage or skip stitching occurs readily
- ✗ The needle is broken



Leather Sewing

DCP is an abbreviation for Digitally Controlled Presser Foot. Moving "Presser Foot" to press the fabric by the motor presses surely. As the lowest point of Presser Foot can be easily set on the operation panel according to the thickness of fabric, there are no worries about damage to the fabric by the presser foot. And it is very efficient for 3D embroidery using urethane on cap.

Network



Embroidery data can be easily sent to the machines by connecting the embroidery software to a network.

For name tag embroidery, autograph is recommended as it simplifies the process. In addition to the DG/ML, it allows for the smoothest design data generation and transmission to the machine.



Caps can be embroidered at higher speeds.

Cap production efficiency has been significantly increased.

- Existing machine 900rpm → 1000rpm



It can easily embroider on sleeves or pockets.

With the new type slim cylinder that has been reduced by 12% in width, it is even better for working on children's wear or smaller pockets.



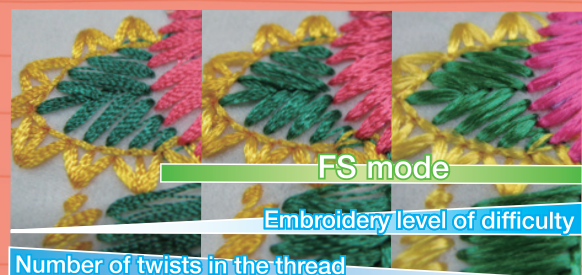
The FS mode is good for loosely twisted thread.

FS
mode

The FS mode is best suited for loosely twisted threads as it can embroider this type of fine thread with a high quality finish. By using the FS mode exclusive parts (sold separately) a nice lofty finish can be achieved.



FS mode Optional Parts

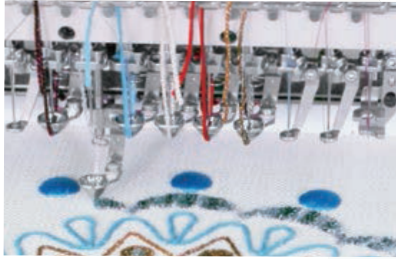


Number of twists in the thread

Options

Multi-cording Device

- Due to the Digitally Controlled Presser Foot, up to six different colors/types of cord can be utilized. This combined with regular embroidery provides endless possibilities for expression.



Frames



▲Tubular Frame(Standard)



▲Wide Cap Frame



▲Border Frame



▲Sock Frame

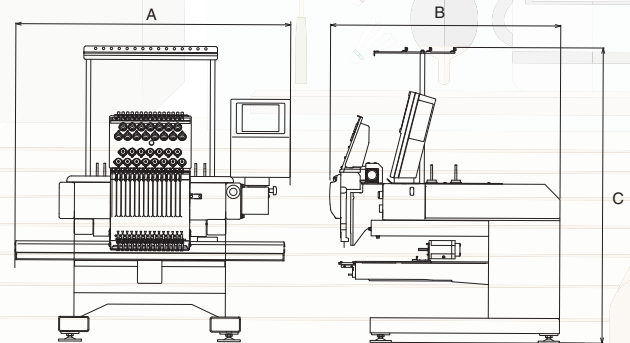


▲Air type Clamp Frame

Specifications

Model	Needles			Embroidery Space (DxW) mm				Width (mm) : A	Depth (mm) : B	Height (mm) : C
	6	12	15	Border Frame	Wide Cap Frame	Semi-Wide Cap Frame	Tubular Frame			
TMBR-SC	○	○	○	360×500	75×360	83×180	360×500	870	765	965

Factory options	Position Marker, LED Lamp, Air Type Clamp Frame, Air Type Pocket Frame
Options	Multi-cording Device, Emb. Lamé Attachment, Stand Tray, Stand, Cap Frame, Pocket Frame, Snarl-preventive Attachment
Speed	Max. 1,200rpm
Electricity	Single-phase 100-120V, 200-240V, 50Hz/60Hz
Power consumption	160W
Weight	95kg



Seller

Tajima Industries Ltd.

19-22, Shirakabe 3-chome, Higashi-ku Nagoya 461-0011 JAPAN
TEL. +81-52-932-3444, 3445 FAX. +81-52-932-2457, 3449



<http://www.tajima.com>



<https://www.facebook.com/TajimaGroup>

Manufacturer

Tokai Industrial Sewing Machine Co.,Ltd.

ACG NYSTRÖM

Älvsborgsleden 7, Box 929, 501 10 BORÅS

Tel 033-17 88 00 | Fax 033-10 07 07

e-mail: info@acgnystrom.se

www.acgnystrom.se

*The practical embroidery space and the rotational speed vary depending on embroidery product, machine model, and operating conditions.
*No registered trademark or design of the products contained in this catalog may be used without prior permission.